

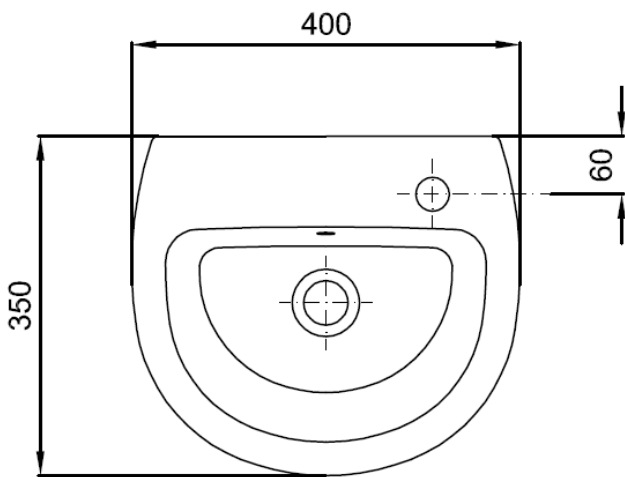
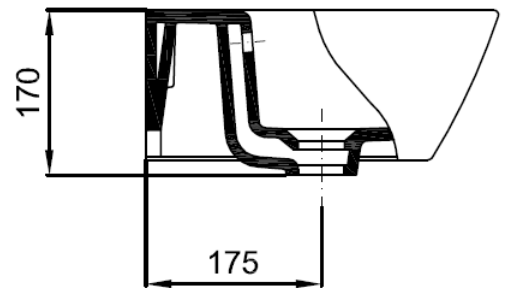
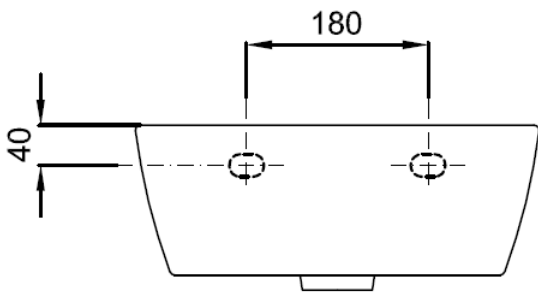
Measurements in millimetres mm

Information updated July 2017

Tel 0345 873 8840

crosswater[™]

TECHNICAL



KAI WALL HUNG CLOAK BASIN

White with overflow

Right hand tap hole only

KL001SCW

Weight 10.0Kgs

Sizes detailed could have a variation of about +/-5 % due to the changes to material characteristics during the firing processes.

Vitreous china